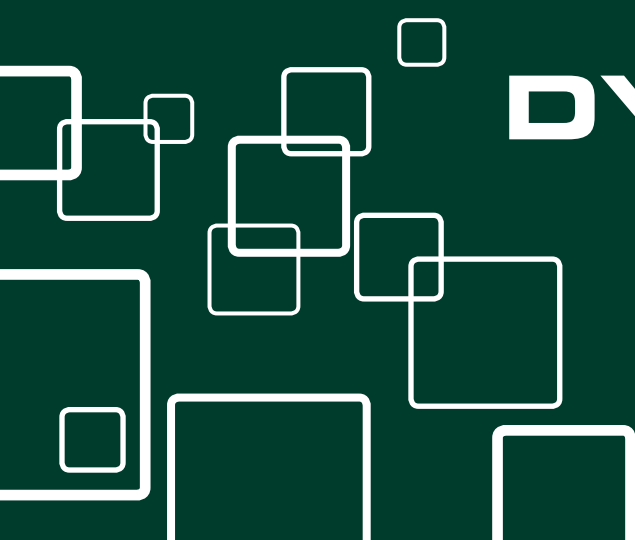




HIGH
SPEED
DOORS



EXTERIOR DOORS
RESISTANCE TO WIND UP TO CLASS 5



DYNAMICROLL[®]
B-DRIVE

DYNAMICROLL® B-DRIVE

Counterweight balancing system

FEATURES

Max opening dimensions *	W 10.000 x H 6.000
Frame	Galvanised Steel - Stainless Steel - Powder coated
Curtain type	1300 gr/m ² 12x12 1700 gr/m ² insulated 7 mm Antistatic
Windows	Anti UV Transparent PVC 1 mm thickness
Colour	From standard range
Vertical guides material	Frame in Galvanised steel with sliding guides in polyethylene 1.000.000 cycles
Motor	Direct drive with worm gearboxes
Safety	Infrared light curtain H 2500 (CE EN 13241)
Power supply	3 phase 230 - 380 - 500 V - 50/60 Hz

** different sizes on demand*

PERFORMANCES

Speed	Up to 3 m/s
Wind load * (differential pressure)	< 5.000 mm: class 5 from 5.100 mm to 6.500 mm: class 4 from 6.500 mm to 8.000 mm: class 3 over 8.000 mm: class 2
Door operation with wind load	Up to 100 Km/h
Sound insulation (standard)	18 db **
Water resistance	Class 3 (ref. EN 12425)
Air permeability	Class 1
Working temperature	-30° +70° C ***
Thermal transmission	Standard curtain: 5.8 W m ² k Insulated curtain: 3.2 W m ² k

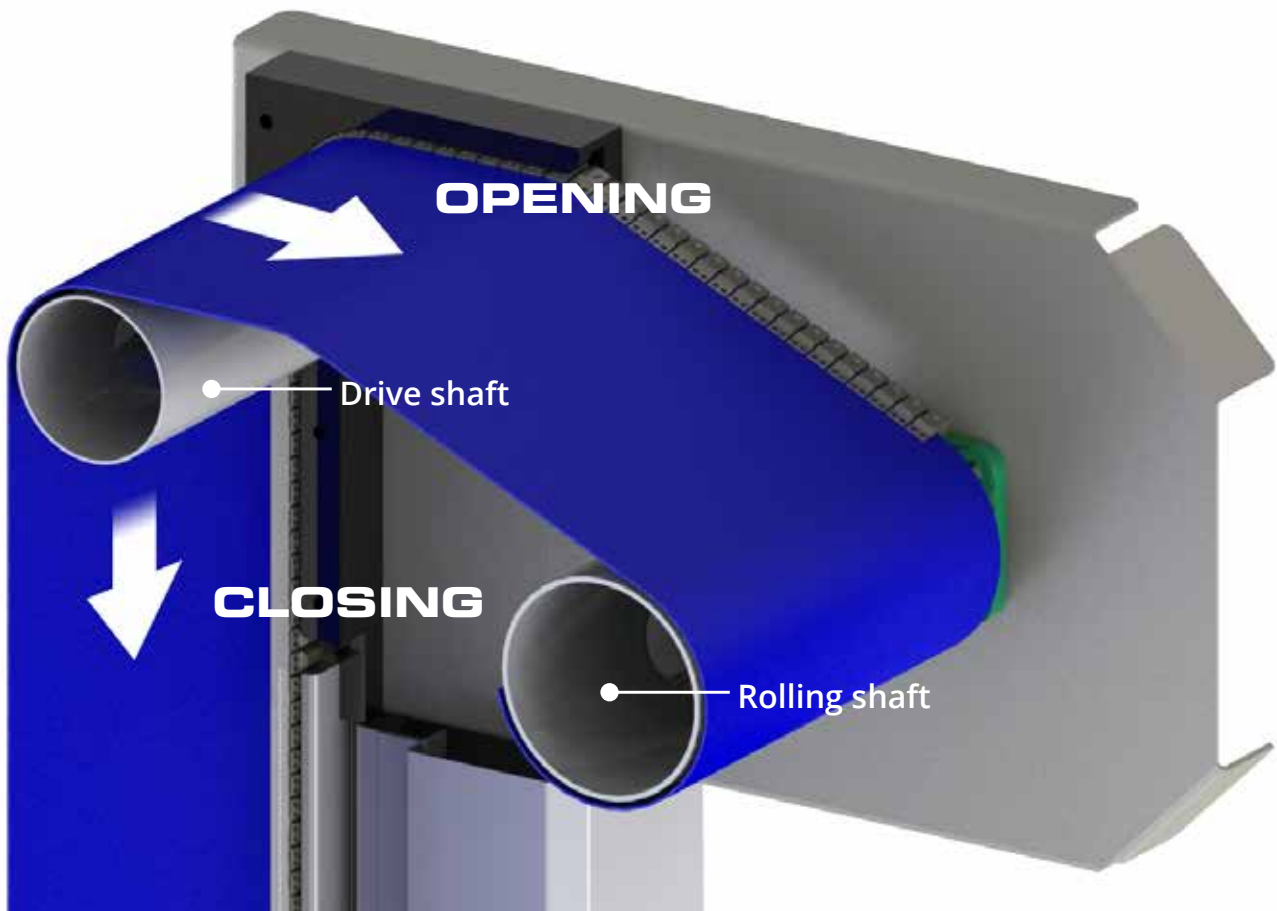
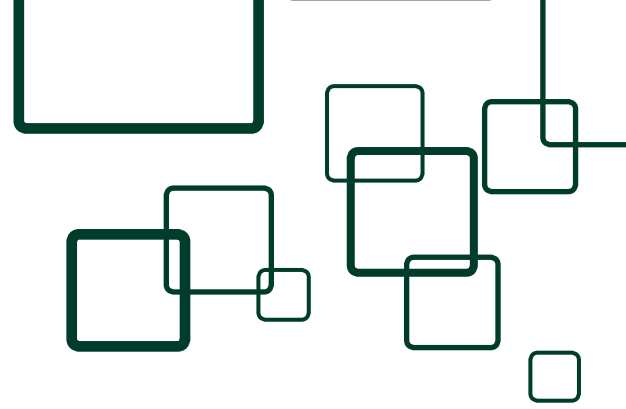
** higher resistance wind load on demand*

*** depends by frequency*

**** by heating cable*

DYNAMICROLL® B-DRIVE

Drive system and
curtain collection



Opening system/antidrop counterweight EN 13241/CE

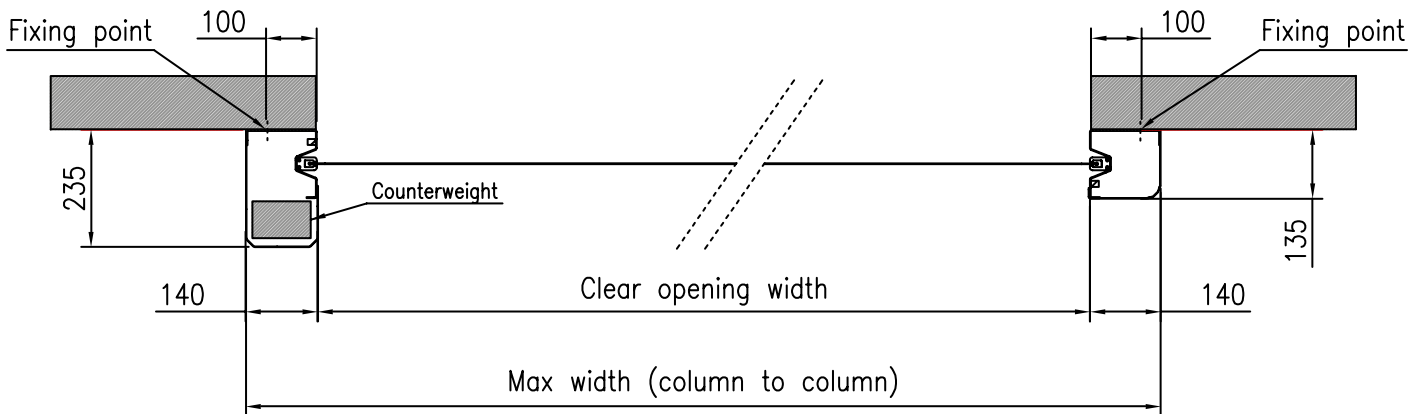
The rolling shaft is connected to a counterweight balancing system which rolls the curtain and keeps its position in case of mechanical failure of any drive elements.



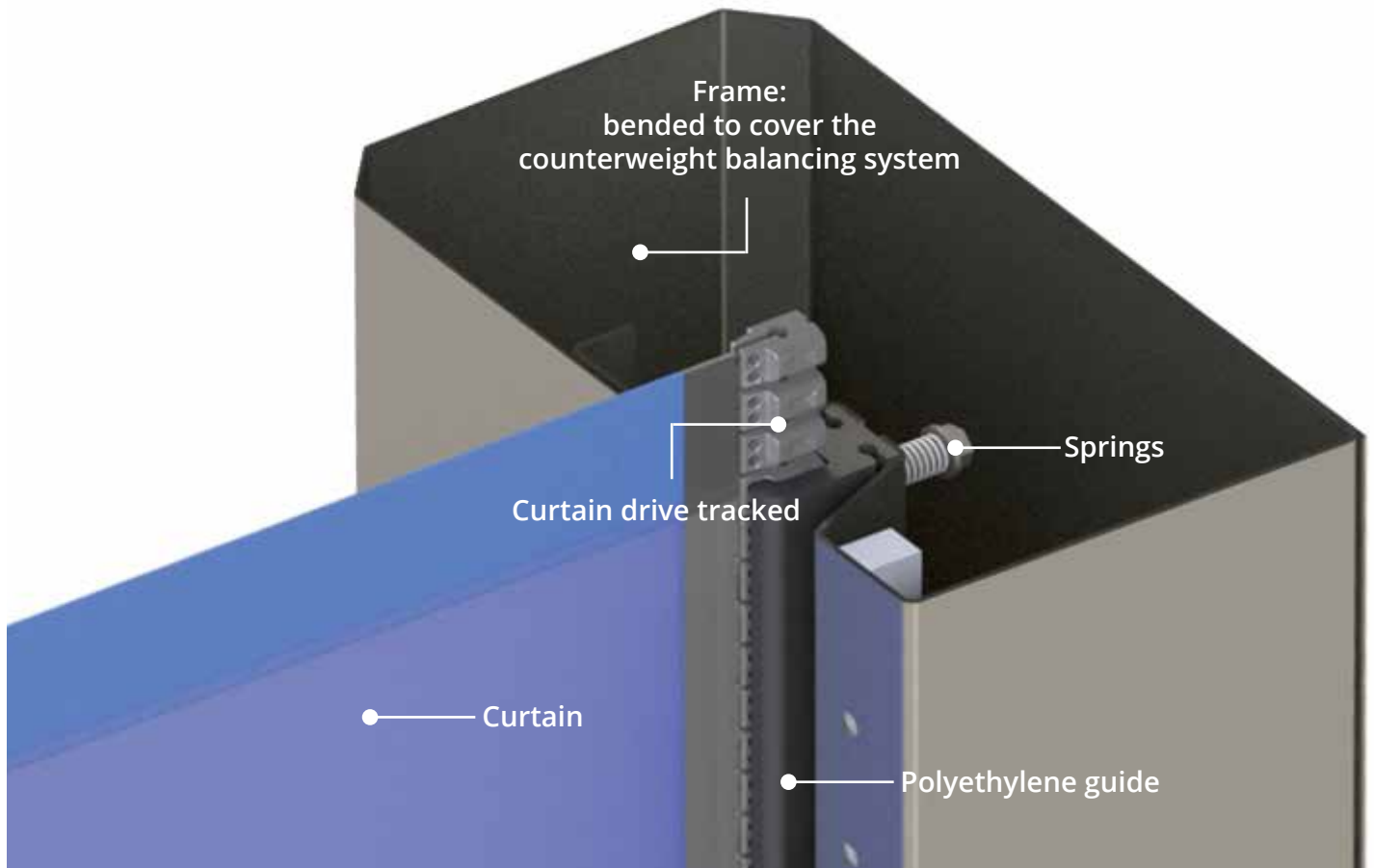
Transmission

DYNAMICROLL® B-DRIVE

Columns



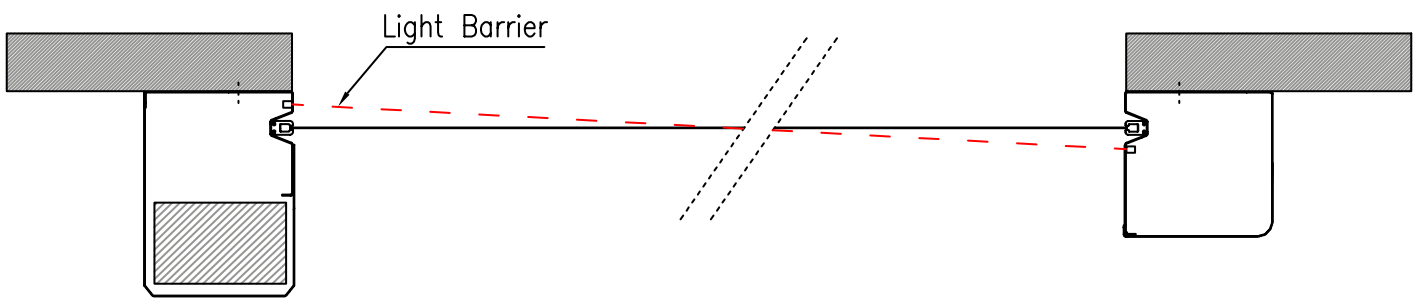
Column section



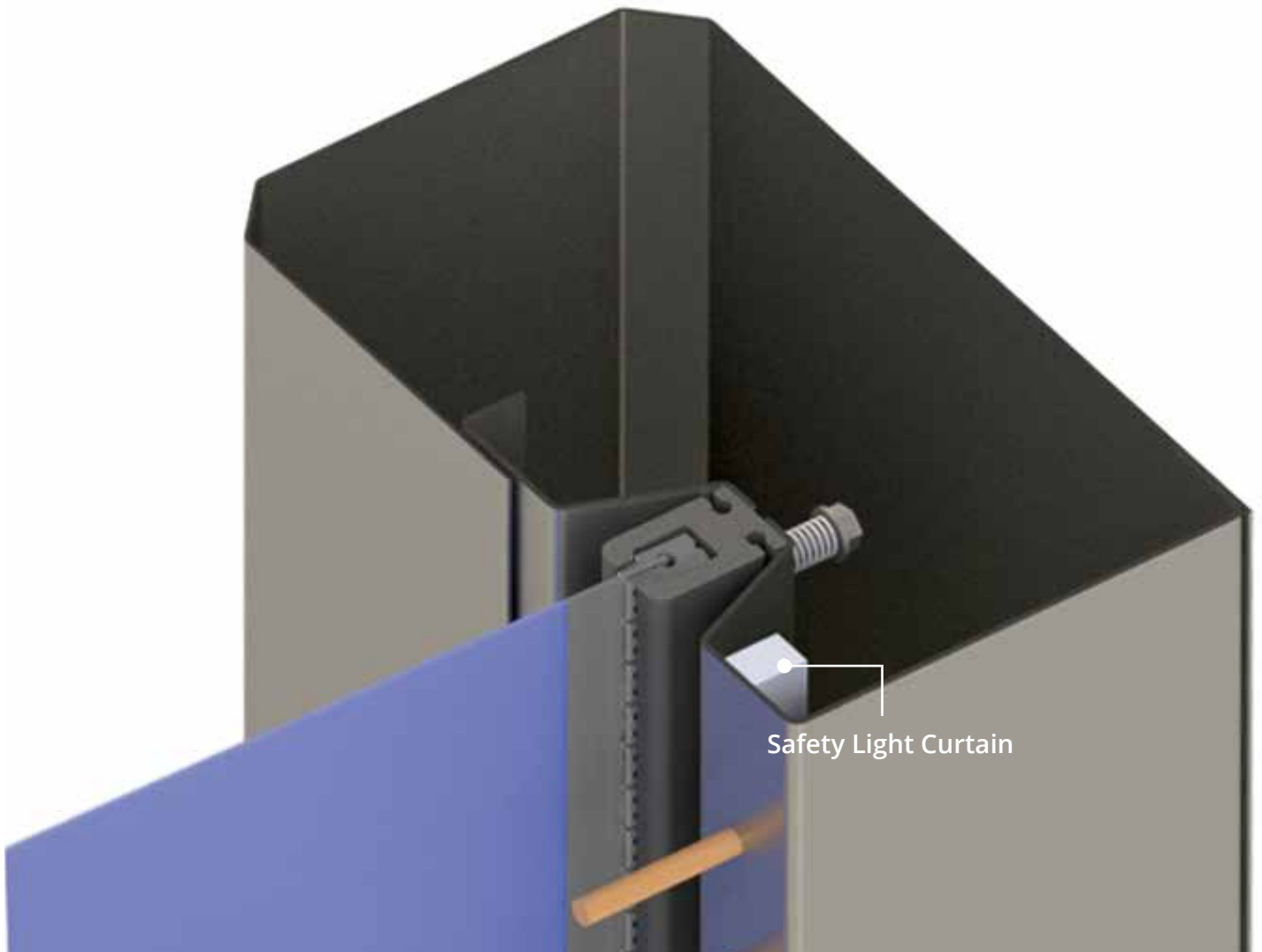
DYNAMICROLL® B-DRIVE

Anticrushing safety system EN 13421

Light barrier safety system fitted on 2500 mm of height avoids contact in every type of situation.

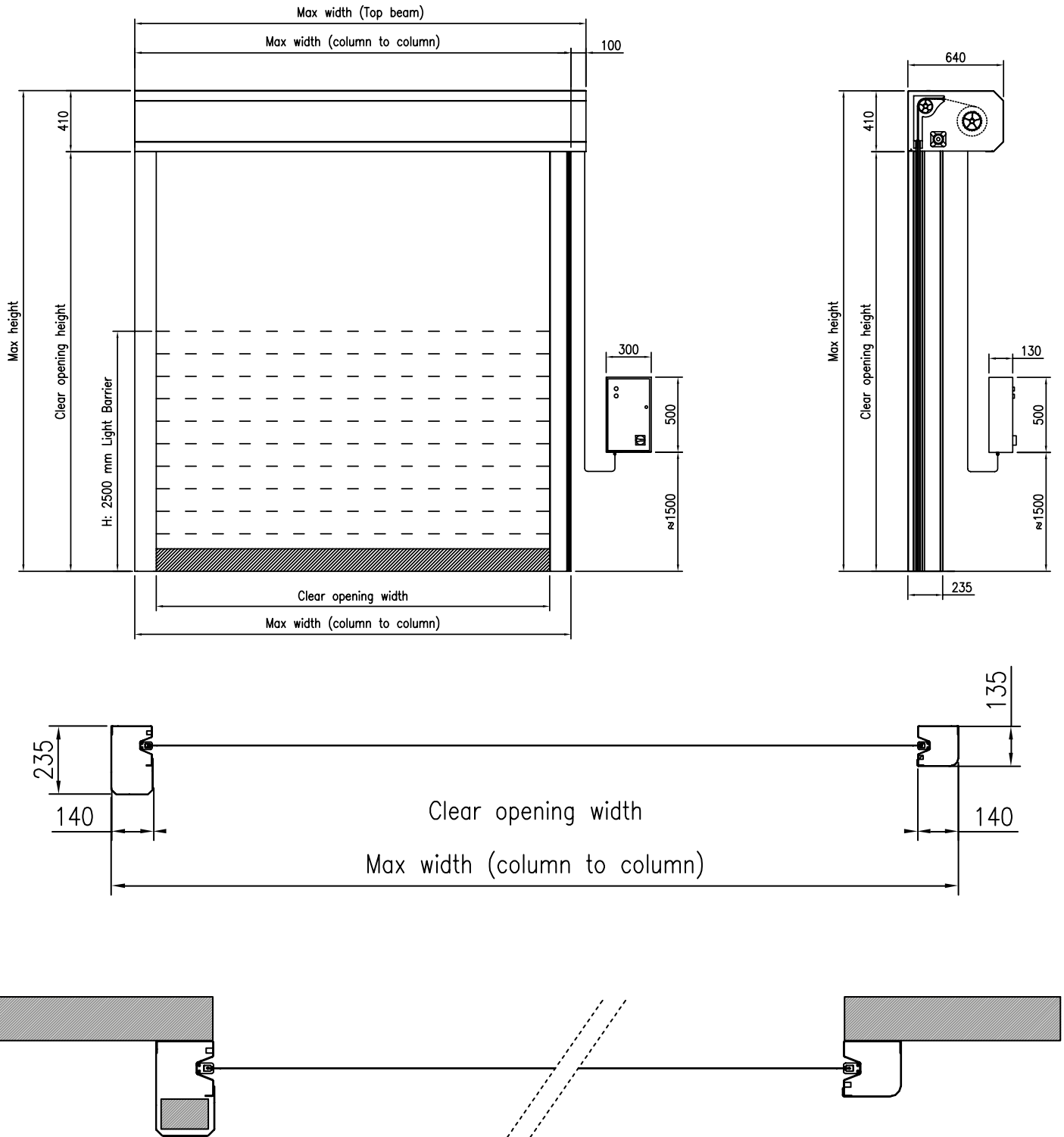


Light barriers are cross fitted as represented at distance of 20 mm from door edge.



DYNAMICROLL® B-DRIVE

Overall dimensions



CURTAIN

Characteristics

Standard
Curtain

Composition and tests

External side	Material finishing Colour Thickness	PVC Opaque 12 standard (mm) 0,7 mm
Fabric	Material n. tarps title (EN 2286-2)	PES 1 1100Dtex 12x12 1300 g/m ²
Internal side	Material finishing Colour thickness	PVC Rough 12 standard (mm) 0,2 mm
Cold resistance	(ISO 4675/90)	-50°C ±5
Hydrolysis test	75°C 95% humidity	None variation
Gas oil test	(ISO 1421)	None variation
Marine water test	(ISO 1421)	None variation
Ozono test	(ISO 3011)	None crack
T storage	(°C)	-30 +65
Flame test	(ISO 3795)	< 100 mm/min
Perforation	(RINA 3.A1.2.7)	(N) > 100
Exercise 7 days - 70°C	(ISO 6065)	None variation

Characteristics

Thickness	ISO 2286/3	(mm) 0,9±0,1
Weight	ISO 2286/2	(kg/m ²) 1,3kg
Tensile strenght warp	ISO 1421	6000 N/50mm
Elongation yarn	ISO 1421	4300 N/50mm
Elongation weft	ISO 1421	4000 N/50mm
Tear resistance warp	DIN 53 363	(N) > 600
Tear resistance weft	DIN 53 363	(N) > 530
Peeling test	DIN EN ISO 2411	130 N/50mm
CEE compliance	-	yes
Specific application	Industry, cold room, car washes, supermarkets ,stores	
Association	-	

Insulated Curtain
(optional)

Composition and tests

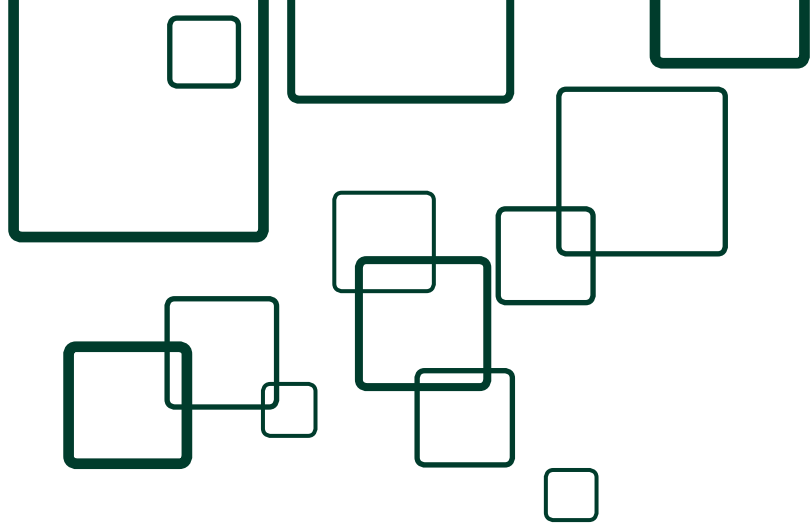
External side	Material finishing Colour Thickness	PVC straight 4 standard (mm) 0,5 mm
Fabric	Material n. plies yarn count (EN 2286-2)	PES 1 1100Dtex 12x12 1350 g/m ²
Underside coating	Material Impression Colour thickness	PVC sponge 4 standard (mm) 7
Cold resistance	(ISO 4675/90)	-10°C ±5
Tropical test	75°C 95% humidity	None variation
Diesel fuel test	(ISO 1421)	None variation
Sea water test	(ISO 1421)	None variation
Ozone test	(ISO 3011)	None crack
T storage	(°C)	-30 +65
Burning test	(ISO 3795)	cl 2, NFPA 701 test 2
Puncture	(RINA 3.A1.2.7)	(N) > 100
Ageing 7 days - 70°C	(ISO 6065)	None variation

Characteristics

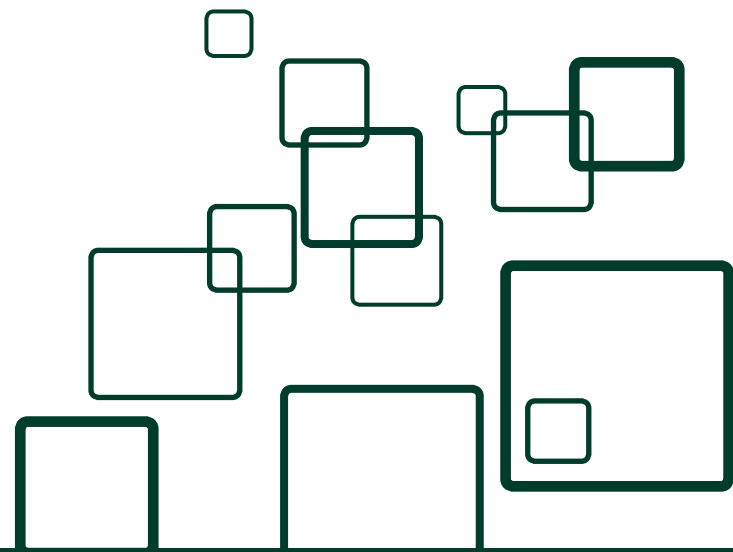
Thickness	ISO 2286/3	(mm) 3,3±0,1
Weight	ISO 2286/2	(Kg/m ²) 1700 gr
Tensile strenght warp	ISO 1421	6000 N/50mm
Elongation yarn	ISO 1421/V1	3000 N/50mm
Elongation weft	ISO 1421/V1	2800 N/50mm
Tear resistance warp	DIN 53 363	300 N
Tear resistance weft	DIN 53 363	300 N
Peeling test	PA 09.03 (interior)	15 N/cm
Thermal conductivity	-	0,0503 W.m ⁻¹ . k ⁻¹
Index d'Isolation	-	Rw= 17,5 dB
Specific application	Industry, cold room, car washes, supermarkets ,stores	
Association	-	

AVAILABLE COLOURS

Simil RAL 9010		Simil RAL 2008		Simil RAL 7042		Simil RAL 9006	
Simil RAL 1015		Simil RAL 3002		Simil RAL 7037		Simil RAL 5012	
Simil RAL 1003		Simil RAL 6026		Simil RAL 7035		Simil RAL 5002	
Translucent		Simil RAL 9005		Simil RAL 9016		Simil RAL 6018	



B.M.P. EUROPE
Strada della Freisa 1 - Villanova d'Asti 14019 (AT)
Tel: +39 0141 948843
www.bmpdoors.com
Email: info@bmpeurope.eu



Since 1997 quality product.